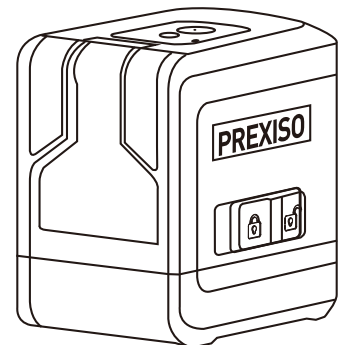


PREXISO



PLC10PG

GREEN-BEAM SELF LEVELING CROSS LINE LASER



www.prexiso-eu.com

SAFETY INSTRUCTIONS

Working safely with the measuring tool is possible only when the operating and safety information are read completely and instructions contained herein are strictly followed. Never make warning labels on the measuring tool unrecognizable. **SAVE THESE INSTRUCTIONS.**

Caution – The use of operating or adjusting equipment or the application or processing methods other than those mentioned herein, can lead to hazardous radiation exposure.



<1.0mW @ 510-530nm
IEC/EN 60925-1: 2014



WARNING

LASER RADIATION. Do not stare into beam. Class II laser product. Turn the laser beam on only when using this tool.

- **Do not remove or deface any product labels.**
- **Avoid direct eye exposure.** The laser beam can cause persons being blinded.
- **Do not** operate the tool around children or allow children to operate the tool.
- **Do not** place the tool in a position that may cause anyone to stare at the laser beam, whether intentionally or unintentionally.
- **Do not** use on reflecting surfaces such as sheet steel, glass or polished metal etc. that have shiny, reflective surfaces. The shiny surface could reflect the beam back at the operator.
- **Always turn the laser tool off when not in use.** Leaving the tool on increases the risk of someone inadvertently staring into the laser beam
- **Do not** attempt to modify the performance of this laser device in any way. This may result in a dangerous exposure to laser radiation.
- **Do not** attempt to repair or disassemble the laser-measuring tool. If unqualified persons attempt to repair this product, serious injury may occur. Any repair required on this laser product should be performed only by qualified service personnel.
- Use of other accessories that have been designed for use with other laser tools could result in serious injury.

- **Do not** operate the tool outdoors.
- **Do not** place or store tool under extreme temperature conditions.
- **Do not** operate the tool in explosive environments, such as in the presence of flammable liquids, gases or dusts. Sparks can be created in the tool which may ignite the dust or fumes.
- Keep the tool **away from** cardiac pacemakers. The magnet inside the tool generates a field that can impair the function of cardiac pacemakers.
- Keep the tool **away from** magnetic data medium and magnetically-sensitive equipment. The effect of the magnetic can lead to irreversible data loss.
- Measurement **may not** be accurate if used beyond the rated range of the device.
- The use of optical instruments with this product will increase eye hazard.
- **Always** make sure any bystanders nearby aware of the dangers of looking directly into the measuring tool.
- **Do not** use the laser viewing glasses as safety goggles, they do not protect eyes against laser radiation.
- **Always** remove the batteries when cleaning the laser light aperture to laser lens.

TECHNICAL SPECIFICATIONS

COMPONENT	SPECIFICATIONS
Laser	λ=510-530 nm, Class 2 laser, maximum laser output<1mW
Operating range (typically)	20M (65FT) *
Accuracy (typically)	5mm@10M (±3/16" @32ft)
Self-leveling range	±4°
Estimated battery life	>3 hours (alkaline batteries)
Optimum operating temperature	32°F to 104°F (0°C to 40°C)
Storage temperature	14°F to 140°F (-10°C to 60°C)
Batteries	2 x 1.5V alkaline AA

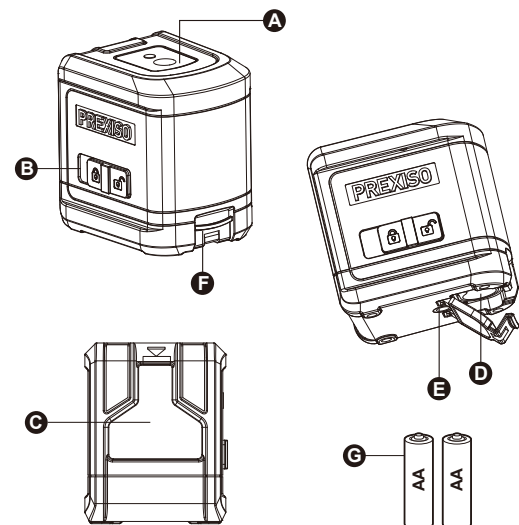
*Important: The accuracy is rated within distance of 10 meters. Under unfavorable conditions, such as in extreme interior illumination, transparent surfaces (eg. glass, water), porous surfaces (eg. insulation materials) or reflecting surfaces (eg. polished metal, glass) or very rough surfaces (eg. rough cast, natural stone), the tool's measuring range and accuracy will be reduced.

DESCRIPTION

KNOW YOUR SELF-LEVELING 360° CROSS LINE LASER TOOL

This self-leveling cross line laser is a highly versatile tool. It can be placed on the ground, mounted on a door frame or work bench etc. when use the appropriate accessories eg. wall mount, tripod etc. but not limited.

- Self-leveling levels within +4 degrees to -4 degrees with an accuracy of 5mm@10M (±3/16" @32ft).
- AA alkaline batteries.



PARTS	DESCRIPTION
A	Power/Mode button
B	Lock / Unlock switch
C	Laser aperture
D	Battery compartment
E	1/4"-20 threaded mounting hole
F	Battery compartment latch
G	AA batteries

UNPACKING

When unpacking the box, do not discard any packing materials until all of the contents are accounted for:

- Self-Leveling Cross Line Laser Tool
- 2 x AA alkaline batteries
- Operator's manual

Carefully lift the compact laser measuring tool out of the package and place it on a stable, flat surface.

ASSEMBLY

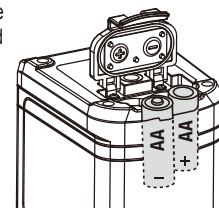
INSERTING/REPLACING THE BATTERY

AA alkaline batteries are recommended for the measuring tool.

To open the battery compartment lid, press the latch and open it. Insert the batteries provided. Pay attention to the correct polarity of the batteries according to the representation on the metal plate inside the lid.

Always replace all batteries at the same time. Only use batteries from one brand and with the identical capacity.

NOTE: Remove the batteries from the measuring tool when not using it for extended periods. When storing for extended periods, the batteries can corrode and discharge themselves.



OPERATION

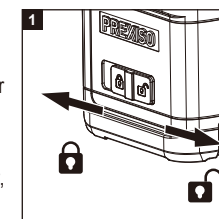
1. TO TURN THE SELF LEVELING CROSS LINE LASER ON AND OFF

The power switch is located on the bottom at the front of the tool.

- To turn the compact self-leveling cross line laser on, push the power switch in the direction of the "⏻" side.

WARNING: When turning on the compact self-leveling cross line laser, always be aware of protecting your eyes and the eyes of those around you. Never point the compact self-leveling cross line laser at anyone's face, including your own.

- To turn the tool off, slide the switch in the direction of the "⏻" side.



2. LASER LINE PROJECTION MODES

The self-leveling cross line laser has two laser-projection modes. To select a specific laser projection mode, press the "⏻" button until you get the desired projection mode. This laser tool defaults to the horizontal pattern mode when it is turned on.

To choose a projection mode, press the mode button:

- Press the "⏻" button once to select the horizontal laser line.
- Press the "⏻" button twice to select the vertical laser line.
- Press the "⏻" button three times to the cross-hair pattern (both horizontal and vertical lines).

3. LEVELING MODES

The self-leveling cross line laser has two leveling modes: self-leveling mode and lock (manual) mode.

3.1 In self-leveling mode, the tool will level itself if it is within ±4° of horizontal.

- Place the self-leveling cross line laser on a flat, smooth surface that is within ±4° of horizontal.

- Turn the tool on by sliding the power switch to the "⏻" side. The compact self-leveling cross line laser will automatically level within 4 seconds.

- Press the "⏻" button until the desired laser-projection mode is achieved.

- If the surface on which the self-leveling cross line laser is placed exceeds ±4° from horizontal, the laser line will blink with 5Hz frequency as an alarm. In this case, adjust the angle of the surface slightly.

4. LOCK (MANUAL) MODE

This mode cannot be used to perform horizontal or vertical leveling, because the laser lines are no longer self leveling. In this mode, the light at the top of the machine shows red.

- Slide the "⏻" switch to "⏻" side and press the "⏻" button 3sec to turn on the laser. The laser lines are now locked and no longer functions self-leveling.

- Press the "⏻" button to change the laser-projection mode.

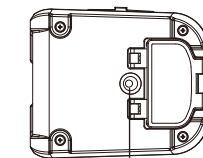
- Slope the self-leveling cross laser to project a straight line for reference of your project.

5. USING WITH THE CLAMP, WALL MOUNT OR TRIPOD

At the bottom of the tool, a 1/4"-20 nut is located. Mount the tool to accessories like clamp, wall mount or tripod (not included) by assembling the tool nut with the 1/4"-20 screw on the accessories. With the accessories, the tool can work under various applications which makes jobs done easier.

Note:

Make sure the tool can be assembled on the accessories without damage or interference to any part of the Self-leveling cross line laser or the accessories.



1/4" - 20 nut

6. APPLICATIONS

The compact self-leveling cross line laser can be placed on the ground, mounted on a work bench / door frame etc. for point marking and simple alignment by sight. It is ideal for the following applications:

- Hanging pictures, photos, or artwork on walls
- Wallpapering and stencil work
- Framing doors and windows
- Installing electrical wiring and pipes
- Mounting wall fixtures, electrical outlets, switches and lighting
- Installing a drop ceiling
- Painting
- Installing cabinets
- Laying tile and flooring

MAINTENANCE

This compact laser measuring tool has been designed to be a low-maintenance tool. However, in order to maintain its performance, you must always follow these simple directions:

- **Avoid** exposing the tool to shock, continuous vibration or extreme hot or cold environment.
- **Always** store the tool indoors.
- **Always** keep the tool free of dust and liquids. Use only a clean soft cloth for cleaning. If necessary, slightly moisten the cloths with pure alcohol or a little water.
- **Do not** disassemble the compact laser measuring tool, this will expose the user to hazardous radiation exposure.
- **Do not** attempt to change any part of the laser lens.

TROUBLESHOOTING

PROBLEM	CAUSE	SOLUTION
The laser line projection is weak.	Batteries are weak.	Replace with new batteries.
The laser line is hard to see.	The tool is out of the rated operating range	Move the tool closer to be within the rated operating range.
Laser line is not projected.	No batteries installed or batteries are depleted.	Install new batteries.
Laser line flickers for alert.	The surface where the tool has been placed is uneven or the tool is working under manual mode.	Place the tool on flat surface levels within +/-4 degrees.

DISPOSAL

CAUTION

The batteries must not be disposed with household waste. Care for the environment and take them to the collection points provided in accordance with national or local regulations. Dispose of the product appropriately in accordance with the national regulations in force in your country. Adhere to the national and country specific regulations. Product specific treatment and waste management can be downloaded from our homepage.

WARRANTY

The Instrument PLC10PG has a two-year warranty. For further information on this, contact your dealer. This warranty is void if product is used for commercial purposes. This warranty is not transferable and does not cover products damaged by misuse, neglect, accident, alterations or use and maintenance other than that specified in the owner's manual. This warranty does not apply to any expendable parts that can wear from normal use. This warranty excludes any accessories.



Prexiso AG
Fabrikstrasse 1
CH-8586 Erlen / Switzerland